



PRODUCT CODE:

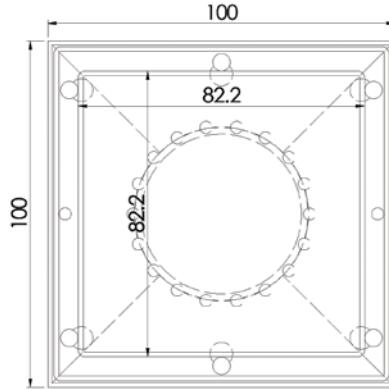
**FW-100TI-50** (50mm outlet)

For a seamless result in tiled areas the 3monkeez® tile insert point drain is the perfect finishing touch for a modern bathroom.

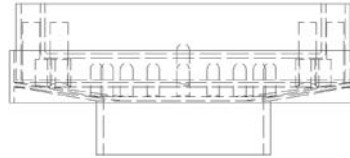
FEATURES & BENEFITS:

- Slimline for easy installation
- Removable tray
- In stock and available for immediate delivery
- Epoxy coating also available

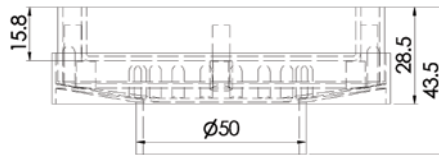
Top



Front



Cross Section



*Details accurate at time of print. Whilst all care has been taken in compiling this information, designs & dimensions shown are indicative only and should not be relied upon without prior approval.*

